



AS-Interface Input/Output Modules

461050 - (Flat mount)

465011 - (DIN rail mount)

These I/O Modules are designed to function as AS-Interface nodes with termination points for connecting switches/sensors, as well as outputs to operate devices such as low power solenoid valves and relays.

Inputs and Outputs

- Four (4) Discrete Inputs
- Four (4) Discrete Outputs

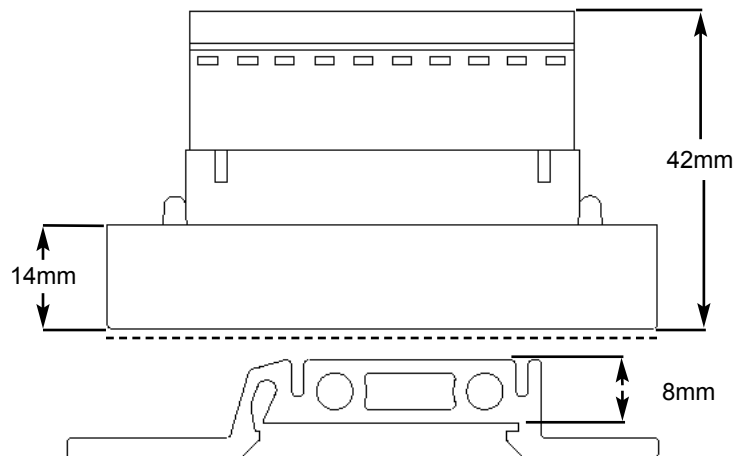
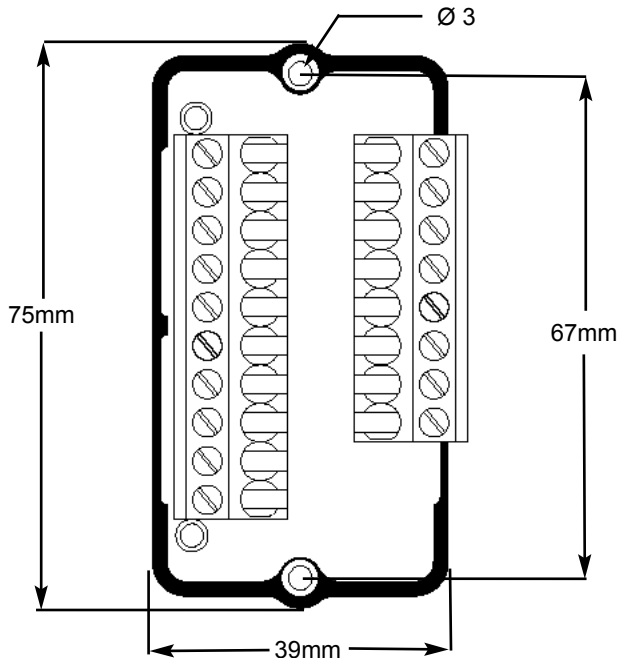
Features

- LED input displays for Inputs 3 & 4
- Direct mount or DIN rail mount



(See reverse for specifications and detailed wiring instructions)

Input/Relay Output Module Dimensions (in mm)



StoneL Corporation
 One StoneL Dr
 26275 US Hwy 59
 Fergus Falls, MN 56537
 USA

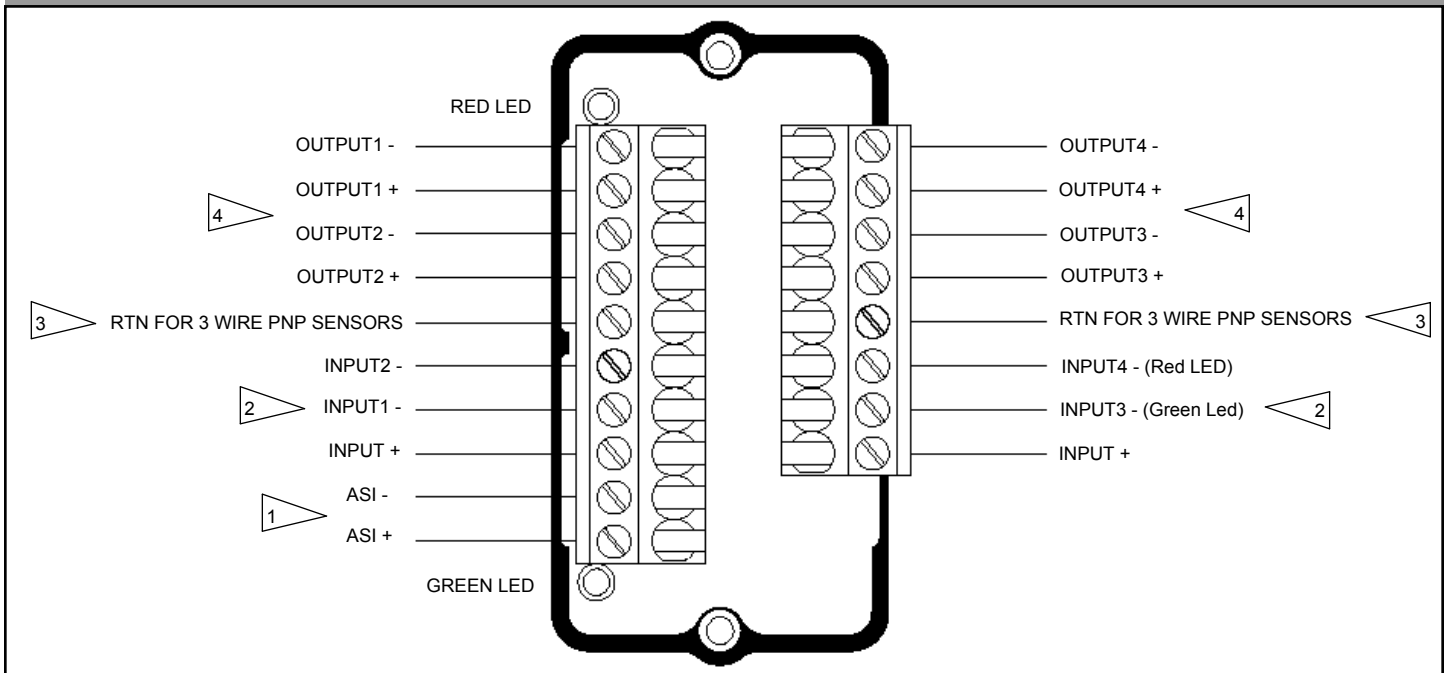
Telephone: 218.739.5774
 Toll Free: 800.843.7866
 Fax: 218.739.5776
 E-mail: sales@stonel.com
 Website: www.stonel.com

© 2001 StoneL Corporation

AS-Interface 4 DI/4 DO Input/Output Modules

Operating Voltage	AS-Interface voltage	AS-Interface Profile	ID Code = F; I/O Code = 7 (4 DI/4 DO)										
Inputs	(4) 3mA @ 28 VDC gold contact mechanical, low power reed, or 2 wire and 3 wire PNP solid state sensors	Default Address	00										
Outputs	(4) 28 VDC - Bus Powered (4 Watts total power available)	Bit Assignment	<table border="0" style="width: 100%;"> <tr> <td style="width: 50%;"><u>Input Data</u></td> <td style="width: 50%;"><u>Output Data</u></td> </tr> <tr> <td>Input 1= DI0</td> <td>Output 1 = DO2</td> </tr> <tr> <td>Input 2= DI1</td> <td>Output 2 = DO3</td> </tr> <tr> <td>Input 3= DI2</td> <td>Output 3 = DO0</td> </tr> <tr> <td>Input 4= DI3</td> <td>Output 4 = DO1</td> </tr> </table>	<u>Input Data</u>	<u>Output Data</u>	Input 1= DI0	Output 1 = DO2	Input 2= DI1	Output 2 = DO3	Input 3= DI2	Output 3 = DO0	Input 4= DI3	Output 4 = DO1
<u>Input Data</u>	<u>Output Data</u>												
Input 1= DI0	Output 1 = DO2												
Input 2= DI1	Output 2 = DO3												
Input 3= DI2	Output 3 = DO0												
Input 4= DI3	Output 4 = DO1												
Current Usage	40mA (no I/O enabled)	Temp Range	T5, Ta@ -40°C to +80°C										
		Operating Life	Unlimited										
		Warranty	Two Years										

Input/Output Module Wiring Diagram and Installation Notes



INSTALLATION NOTES:

1. AS-Interface bus communications connection points.
2. Bus powered Discrete Input connection points for low power (3mA @ 28 VDC) gold contact mechanical switches, low power reed, or 2 wire and 3 wire PNP solid state proximity sensors (max allowable current leakage of sensors 0.3mA) . Red LED is local indication of discrete Input 4 on/off status and the Green LED for discrete Input 3 on/off status.
3. Connection point for the "return" of 3 wire PNP sensors. (See Note 2)
4. Connection points 24 VDC Bus powered Discrete Outputs (4 watts total power available) for low power solenoid valves and relays.